

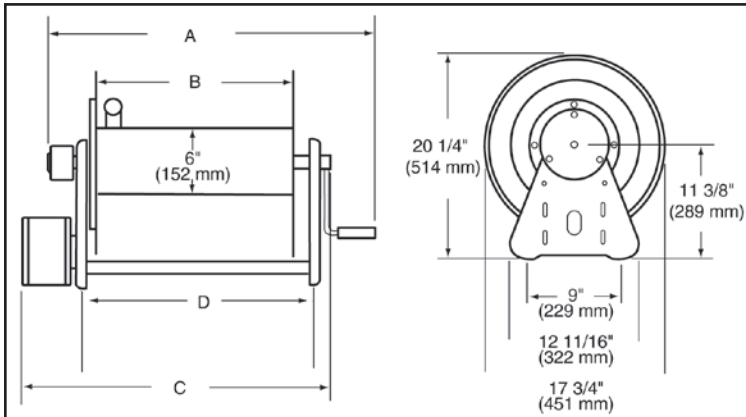
# Operating Instructions

## Series 30000 Hand Crank Reels

CA30106 L	CA32106 M	CA32128 L	CA33118 M
CA30112 L	CA32112 L	CA33106 L	CA33122 L
CA30118 L	CA32112 M	CA33106 M	CA33128 L
CA30122 L	CA32118 L	CA33112 L	
CA30128 L	CA32118 M	CA33112 M	
CA32106 L	CA32122 L	CA33118 L	



### Dimensional Data



Part #	A	B	D	Part #	A	B	D
CA30106 L	19"	6"	9.75"	CA32122 L	35"	22"	25.75"
CA30112 L	25"	12"	15.75"	CA32128 L	40"	27"	30.75"
CA30118 L	31"	18"	21.75"	CA33106 L	19"	6"	9.75"
CA30122 L	35"	22"	25.75"	CA33106 M	19"	6"	9.75"
CA30128 L	40"	27"	30.75"	CA33112 L	25"	12"	15.75"
CA32106 L	19"	6"	9.75"	CA33112 M	25"	12"	15.75"
CA32106 M	19"	6"	9.75"	CA33118 L	31"	18"	21.75"
CA32112 L	25"	12"	15.75"	CA33118 M	31"	18"	21.75"
CA32112 M	25"	12"	15.75"	CA33122 L	35"	22"	25.75"
CA32118 L	31"	18"	21.75"	CA33128 L	40"	27"	30.75"
CA32118 M	31"	18"	21.75"				

### Safety Precautions

Personal injury and/or equipment damage may result if proper safety precautions are not observed.

- Ensure that the reel has been properly installed before connecting supply line (see installation instructions).
- Bleed fluid/gas pressure from system before servicing reel.
- Before connecting reel to supply line ensure that supply line pressure does not exceed maximum rated working pressure of reel.
- Do not play pranks on other personnel. Even low pressure is very dangerous and can cause irreparable damage or death.
- Do not wear loose fitting clothing while operating reel.
- Be aware of other personnel in work area.
- Be aware of other machinery in work area.
- If a leak occurs in the hose or reel, remove supply line pressure immediately.
- If the reel is power driven check for loose, frayed, and/or broken wires before operating.
- Treat and respect a hose reel as any other piece of machinery, observing all common safety practices.

Form# 534-89A Rev: 5/2011

## INSTALLATION INSTRUCTIONS

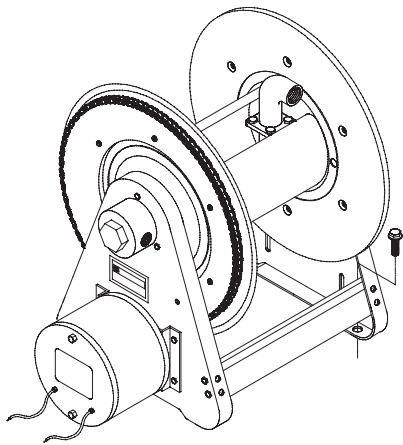
### Inspection

Unpack and inspect the reel for damage. Turn the reel by hand to check for smooth operation. Check for completeness.

### Mounting of all hose reels

**NOTE:** Ensure that mounting surface is flat to prevent binding on reel after it is mounted.

1. Two 1/2" diameter mounting holes are located at the base of each side support panel (2 each). Mount reel using four (customer supplied) bolts; tightening them securely to ensure a solid, rigid attachment.



2. Perform the following steps only after all other installation steps, pertaining to your particular reel, are accomplished. Refer to page 4 for special instructions.

**NOTE:** A flexible hose connection must be used to compensate for any offset between the supply line and the reel swivel.

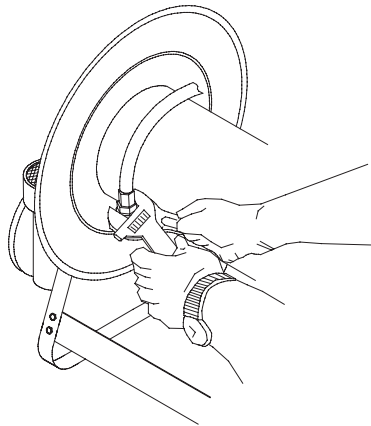
3. Apply thread compound to all threads.
4. Thread male connector of supply line into swivel. Tighten securely.

### Connecting the hose

**CAUTION:** Do not connect the hose to the connecting tube assembly until after hose reel has been installed. Fully extend and charge hose before winding on ot reel. Momentarily open control valve, when initially charging, to purge hose of gases.

When fluid appears at control valve, close valve. This prevents flattening of the hose and excessive pressure on the drum when fluid supply is reinitialized at a later time.

1. Apply thread compound to all threads.
2. Hand thread male hose connector into connecting tube assembly.
3. Using a wrench, firmly hold onto connecting tube assembly while tightening hose connector.



## OPERATING INSTRUCTIONS

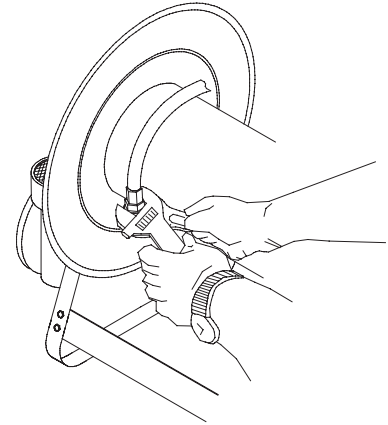
### WARNING-PREVENT STATIC

**SPARKING:** When working around flammable liquids such as solvents, paints, chemicals or petroleum products, ensure that the hose reel, hose and the equipment being serviced are properly grounded. Use grounded hose(s) (static wire). Use an ohmmeter to check continuity of the ground circuit. Fire and/or explosion can result if proper grounding is not achieved. If reel is power or air driven, be careful of chain/sprocket drive system. Keep hands clear. Do not wear loose fitting clothing. Pull hose from the reel by grasping the hose itself, not the control handle or swivel.

## SERVICE INSTRUCTIONS

### Replacing the hose

1. Using a wrench, firmly hold onto the connecting tube assembly while removing hose connector.
2. Follow procedures for "Connecting the hose" (refer to installation instructions).



### Replacing the swivel

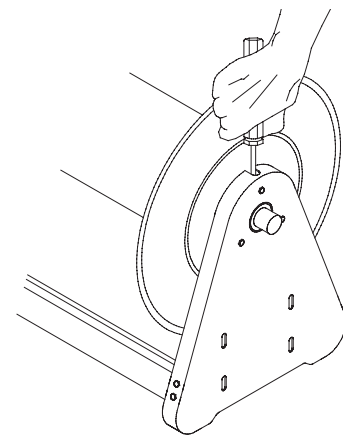
**CAUTION:** Remove supply line pressure before performing the following procedure.

1. Remove supply line from swivel.
2. Remove swivel assembly from inlet shaft.
3. Install swivel assembly to inlet shaft by reversing steps 1 and 2. Apply thread compound to all threads.

## ADJUSTMENT PROCEDURES

### Adjusting the reel

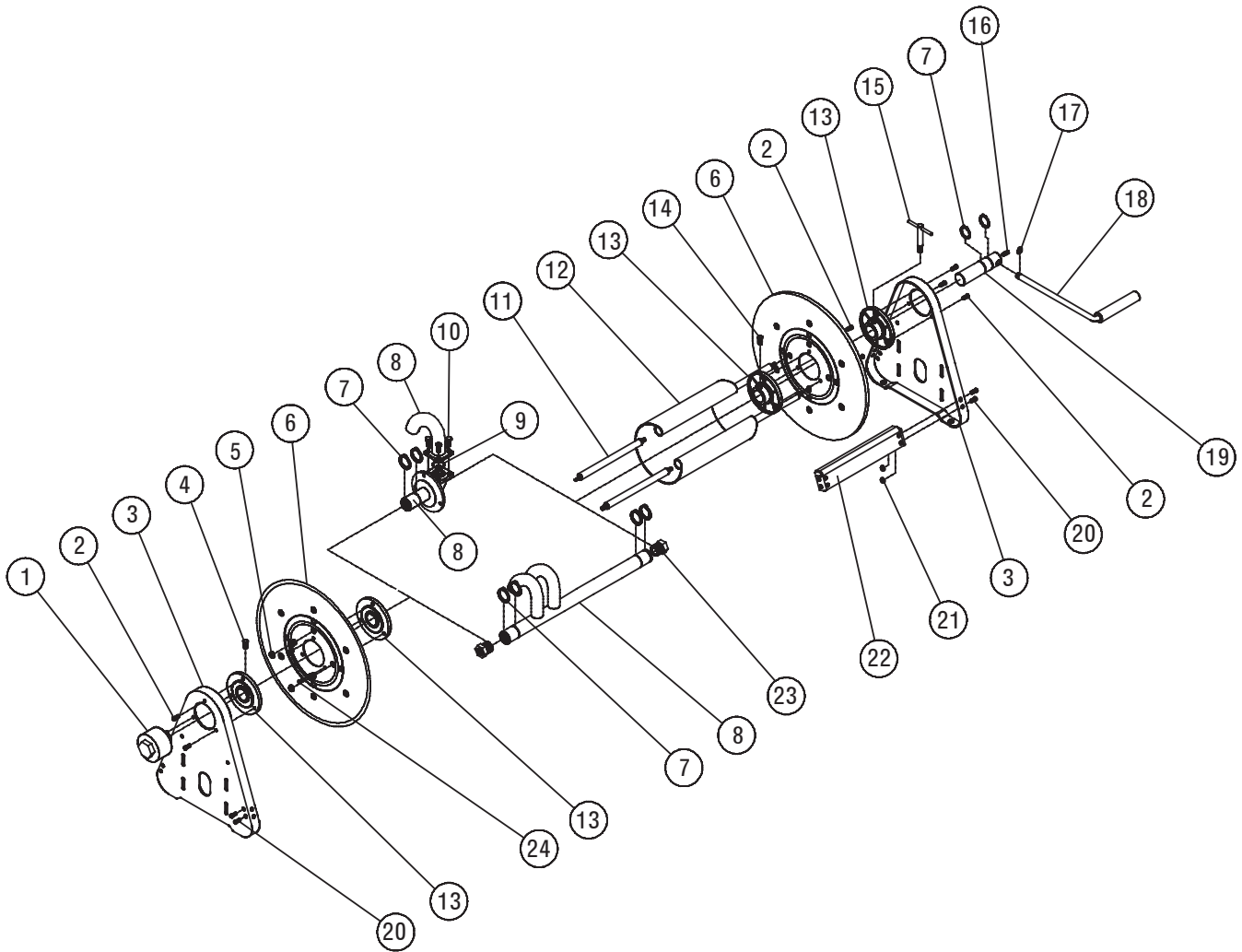
1. Adjust reel drag by loosening or tightening set screw on hub casting on manual driven reel.



### Hand crank to motor driven conversion

It is possible to convert a manual driven hose reel to a power or air driven type. Contact Reelcraft customer service for information.

Series 30000 Hand Crank Reels



ITEM	DESCRIPTION	QTY.	CA30106 L	CA30112 L	CA30118 L	CA30122 L	CA30128 L	CA32106 L	CA32106 M
1	Swivel assembly	1	None	None	None	None	None	600822-2	602033
2	Screw, 5/16-12 x 5/8"	9	S317-31	S317-31	S317-31	S317-31	S317-31	S317-31	S317-31
3	Side frame	2	260403	260403	260403	260403	260403	260403	260403
4	Set screw 3/8 brass	1	300099	300099	300099	300099	300099	300099	300099
5	Nut, 5/16-18	8	S85-7	S85-7	S85-7	S85-7	S85-7	S85-7	S85-7
6	Spool flange	2	260399-3	260399-3	260399-3	260399-3	260399-3	260399-3	260399-3
7	Snap ring	4	300007	300007	300007	300007	300007	300007	300007
8	Inlet assembly	1	600327-2	600327-2	600327-2	600327-2	600327-2	600327-1	600327-1
9	O-ring	1	S211-120	S211-120	S211-120	S211-120	S211-120	S211-120	S211-120
10	Screw, 5/16-18 x 3/4"	4	S7-51	S7-51	S7-51	S7-51	S7-51	S7-51	S7-51
11	Tie rod	4	260402-100	260402-200	260402-300	260402-400	260402-500	260402-100	260402-100
12	Spacer	4	260401-1	260401-2	260401-3	260401-4	260401-5	260401-1	260401-1
13	Hub & bushing assembly	3	600640	600640	600640	600640	600640	600640	600640
14	Set screw	2	300006	300006	300006	300006	300006	300006	300006
15	Lock handle assembly	1	280109	280109	280109	280109	280109	280109	280109
16	Set screw 3/8 square head	1	300089	300089	300089	300089	300089	300089	300089
17	Snap ring	1	S137-4	S137-4	S137-4	S137-4	S137-4	S137-4	S137-4
18	Crank handle assembly	1	600102	600102	600102	600102	600102	600102	600102
19	Support shaft	1	260770	260770	260770	260770	260770	260770	260770
20	Screw, 5/16-18 x 1/2"	8	S2-51	S2-51	S2-51	S2-51	S2-51	S2-51	S2-51
21	Nut, 5/16-18	8	300107	300107	300107	300107	300107	300107	300107
22	Cross brace	2	261501-1	261501-2	261501-3	261501-4	261501-5	261501-1	261501-1
23	Reducer bushing	4	None	None	None	None	None	None	None
24	Screw, 1/4-20 x 5/8"	3	S2-42	S2-42	S2-42	S2-42	S2-42	S2-42	S2-42

## Series 30000 Hand Crank Reels

ITEM	DESCRIPTION	QTY.	CA32112 L	CA32112 M	CA32118 L	CA32118 M	CA32122 L	CA32128 L	CA33106 L
1	Swivel assembly	1	600822-2	602033	600822-2	602033	600822-2	600822-2	602026
2	Screw, 5/16-12 x 5/8"	9	S317-31	S317-31	S317-31	S317-31	S317-31	S317-31	S317-31
3	Side frame	2	260403	260403	260403	260403	260403	260403	260403
4	Set screw 3/8 brass	1	300099	300099	300099	300099	300099	300099	300099
5	Nut, 5/16-18	8	S85-7	S85-7	S85-7	S85-7	S85-7	S85-7	S85-7
6	Spool flange	2	260399-3	260399-3	260399-3	260399-3	260399-3	260399-3	260399-3
7	Snap ring	4	300007	300007	300007	300007	300007	300007	300007
8	Inlet assembly	1	600327-1	600327-1	600327-1	600327-1	600327-1	600327-1	600327-2
9	O-ring	1	S211-120	S211-120	S211-120	S211-120	S211-120	S211-120	S211-120
10	Screw, 5/16-18 x 3/4"	4	S7-51	S7-51	S7-51	S7-51	S7-51	S7-51	S7-51
11	Tie rod	4	260402-200	260402-200	260402-300	260402-300	260402-400	260402-400	260402-100
12	Spacer	4	260401-2	260401-2	260401-3	260401-3	260401-4	260401-5	260401-1
13	Hub & bushing assembly	3	600640	600640	600640	600640	600640	600640	600640
14	Set screw	2	300006	300006	300006	300006	300006	300006	300006
15	Lock handle assembly	1	280109	280109	280109	280109	280109	280109	280109
16	Set screw 3/8 square head	1	300089	300089	300089	300089	300089	300089	300089
17	Snap ring	1	S137-4	S137-4	S137-4	S137-4	S137-4	S137-4	S137-4
18	Crank handle assembly	1	600102	600102	600102	600102	600102	600102	600102
19	Support shaft	1	260770	260770	260770	260770	260770	260770	260770
20	Screw, 5/16-18 x 1/2"	8	S2-51	S2-51	S2-51	S2-51	S2-51	S2-51	S2-51
21	Nut, 5/16-18	8	300107	300107	300107	300107	300107	300107	300107
22	Cross brace	2	261501-2	261501-2	261501-3	261501-3	261501-4	261501-5	261501-1
23	Reducer bushing	4	None	None	None	None	None	None	None
24	Screw, 1/4-20 x 5/8"	3	S2-42	S2-42	S2-42	S2-42	S2-42	S2-42	S2-42

ITEM	DESCRIPTION	QTY.	CA33106 M	CA33112 L	CA33112 M	CA33118 L	CA33118 M	CA33122 L	CA33128 L
1	Swivel assembly	1	602026	602026	602026	602026	602026	602026	602026
2	Screw, 5/16-12 x 5/8"	9	S317-31	S317-31	S317-31	S317-31	S317-31	S317-31	S317-31
3	Side frame	2	260403	260403	260403	260403	260403	260403	260403
4	Set screw 3/8 brass	1	300099	300099	300099	300099	300099	300099	300099
5	Nut, 5/16-18	8	S85-7	S85-7	S85-7	S85-7	S85-7	S85-7	S85-7
6	Spool flange	2	260399-3	260399-3	260399-3	260399-3	260399-3	260399-3	260399-3
7	Snap ring	4	300007	300007	300007	300007	300007	300007	300007
8	Inlet assembly	1	600327-2	600327-2	600327-2	600327-2	600327-2	600327-2	600327-2
9	O-ring	1	S211-120	S211-120	S211-120	S211-120	S211-120	S211-120	S211-120
10	Screw, 5/16-18 x 3/4"	4	S7-51	S7-51	S7-51	S7-51	S7-51	S7-51	S7-51
11	Tie rod	4	260402-100	260402-200	260402-200	260402-300	260402-300	260402-400	260402-500
12	Spacer	4	260401-1	260401-2	260401-2	260401-3	260401-3	260401-4	260401-5
13	Hub & bushing assembly	3	600640	600640	600640	600640	600640	600640	600640
14	Set screw	2	300006	300006	300006	300006	300006	300006	300006
15	Lock handle assembly	1	280109	280109	280109	280109	280109	280109	280109
16	Set screw 3/8 square head	1	300089	300089	300089	300089	300089	300089	300089
17	Snap ring	1	S137-4	S137-4	S137-4	S137-4	S137-4	S137-4	S137-4
18	Crank handle assembly	1	600102	600102	600102	600102	600102	600102	600102
19	Support shaft	1	260770	260770	260770	260770	260770	260770	260770
20	Screw, 5/16-18 x 1/2"	8	S2-51	S2-51	S2-51	S2-51	S2-51	S2-51	S2-51
21	Nut, 5/16-18	8	300107	300107	300107	300107	300107	300107	300107
22	Cross brace	2	261501-1	261501-2	261501-2	261501-3	261501-3	261501-4	261501-5
23	Reducer bushing	4	None	None	None	None	None	None	None
24	Screw, 1/4-20 x 5/8"	3	S2-42	S2-42	S2-42	S2-42	S2-42	S2-42	S2-42