

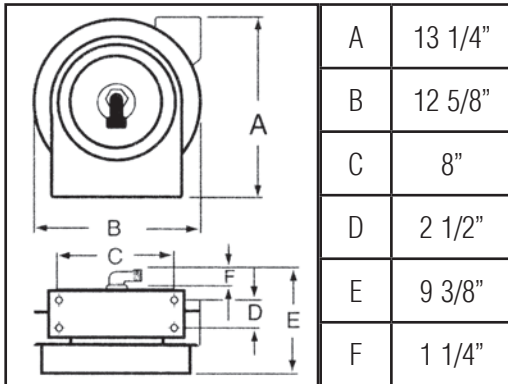
Operating Instructions

Series L4000 Spring Driven Cord Reels

L 4035 163 1	L 4545 123 3	L 4545 123 7A	L 4545 123 X
L 4050 163 1	L 4545 123 3A	L 4545 123 7B	L 4000
L 4035 162 2	L 4545 123 3B	L 4545 123 7D	L 4100
L 4050 162 2	L 4035 A 163 5	L 4035 163 8	L 4500
L 4035 163 3	L 4050 A 163 5	L 4050 163 8	
L 4050 163 3	L 4545 123 7	L 4050 163 X	



Dimensions



Four 5/16" diameter mounting holes

A	13 1/4"
B	12 5/8"
C	8"
D	2 1/2"
E	9 3/8"
F	1 1/4"

IMPORTANT
Read this manual carefully before installing, operating or servicing this equipment.

Cord Apparatus	Voltage A/C	AMPS
Incandescent lamp (75 watt max)	125	13
Fluorescent lamp	125	0.3
Single outlet	125	13
Dual receptacle box	125	20

Frequency 60HZ single phase

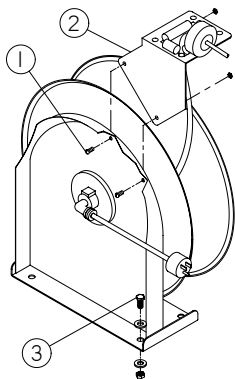
WARNING: Even low voltage can cause irreparable damage or death! Exercise extreme caution while operating or servicing this equipment.

Safety Precautions

Personal injury and/or equipment damage may result if proper safety precautions are not observed.

- Ensure that only a qualified electrician installs/services this equipment.
- Ensure that power supply voltage does not exceed maximum voltage rating of reel.
- Ensure that reel is properly installed before connecting to power supply.
- All cord reels with GFCI receptacles must be hard wired to ensure proper function.
- Ensure that all electrical power is removed from reel before servicing.
- A high-tension spring assembly is contained within the reel. Exercise extreme caution.
- Check for frayed and/or broken wires before each use. Pull electrical cord from reel by grasping the electrical cord itself, not the work device.
- If an electrical malfunction should occur, remove power from reel immediately.
- Ensure that reel, electrical cord, and equipment being serviced are properly grounded. Use an ohmmeter to check ground continuity.
- If reel ceases to unwind or rewind, remove power immediately. Do not pull or jerk on electrical cord!
- Treat and respect the reel as any other piece of machinery, observing all common safety practices.

Installation Instructions



Mounting

CAUTION: Unless reel was specified differently when ordering, maximum installation height is 16 feet. Do not exceed this distance. Ensure that only a qualified electrician installs/services this equipment. Installation of GFCI cord reels should be performed by a qualified and licensed professional in accordance with building codes and applicable NEC standards.

1. Unpack and inspect reel for damage. Turn by hand to check for smooth operation. Check for completeness.
2. Configure reel for top, side or bottom-wind (bottom-wind for constant tension reels only) electrical cord dispensing by remov-

- ing bolts (1), securing guide arm bracket (2). Determine new guide arm location and remove corresponding bolts. Position guide arm bracket to reel and replace bolts.
3. Position reel on floor, wall, or ceiling. Secure into place, using four (customer supplied) screws or bolts (3).

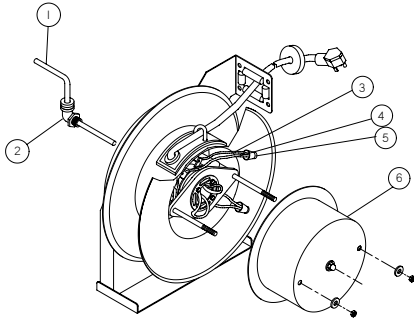
Electrical

WARNING: Ensure that application does not exceed electrical rating of reel. Observe applicable NEC, OSHA, and local electrical codes when installing this equipment.

1. Connect input cord to grounded receptacle.

Form# 542-290 Rev: 6/2011

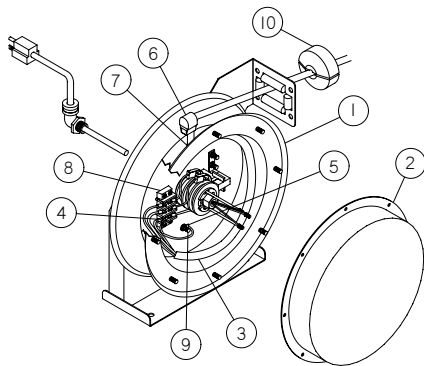
Installing the Input Electrical Cable



WARNING: Use only 12/3 or 16/3 cable for input wiring. Ensure that application does not exceed electrical rating of reel (refer to page 1 of this manual). All cord reels with GFCI receptacles must be hard wired into the electrical circuit. Use of 2 or 3 prong plugs may cause a potential malfunction of the GFCI receptacle.

1. Feed input cable (1) through elbow (2) and main shaft. Make sure that input cable extends 6" from collector.
2. Screw elbow (2) into reel.
3. Connect input wires (3) and collector ring wires (4) together using wire nuts (5).
4. Take the provided zip tie (not pictured) and zip tie the input cable wires together closest to the slip ring.
5. Assemble cover (6) to reel.

Installing the Output Electrical Cable



WARNING: Select output cable in accordance with power requirement of apparatus to be supplied. Ensure that application does not exceed electrical rating of reel (refer to page 1 of this manual). Use extreme caution, reel under tension. Avoid releasing latch mechanism.

1. Manually turn sheave (1) until spring is tight, back off 2 turns, and latch.
2. Remove access cover (2).
3. Remove 6" of output cable outer jacket (3) and add fork terminals (4) to ends.
4. Route cable through strain relief (6), then through cut out in spool (7).

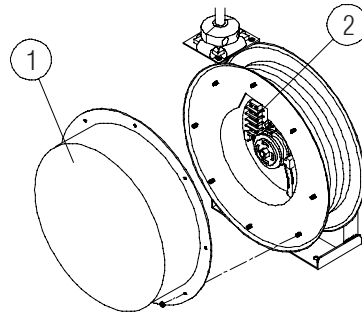
5. Pull enough cable through for roughly 1/2 an inner wrap as shown in the diagram.
6. Connect output wires to terminal block (8) as shown.
7. Connect ground wire to grounding stud (9) as shown.
8. Using Ohmmeter check for ground faults.
9. Take provided cable clamp (not pictured) and attach it to the wire. Then take the cable clamp and screw it down to the brush assembly on the reel.
10. Replace cover (2).
11. Release latch and wind cable onto reel.
12. Install cable bumper (10).

Adjustments - Spring Tension

If necessary, adjust spring tension on reel by adding or removing wraps of electrical cord from spool, one wrap at a time, until desired tension is obtained. Add wraps to increase tension. Remove wraps to decrease tension.

WARNING: When adding wraps of electrical cord, be careful not to exceed the winding mechanism's spring capacity. Add just enough wraps of cord to achieve the desired tension. Damage to the winding mechanism will result if spring is over-tensioned. Always be aware of spring tension on reel. Exercise extreme caution.

Troubleshooting Instructions



Troubleshooting of the reel consists of isolating a problem to a defective electrical cord/work device, brush holder/brushes, or collector assembly. Refer any other discrepancies only to an authorized service person or directly to Reelcraft.

WARNING: The following procedure directs the technician to take voltage measurements. Remember, even low voltage is dangerous and can cause personal injury or death. Exercise extreme caution! Ensure that only a qualified electrician installs/services this equipment.

1. If work device is either an incandescent or fluorescent light, replace bulb with a known good bulb. If this does not correct the problem, proceed to step 2. If work device is an electrical receptacle, ensure that tool or fixture connected to it is in good working order. If it is, proceed to step 2.

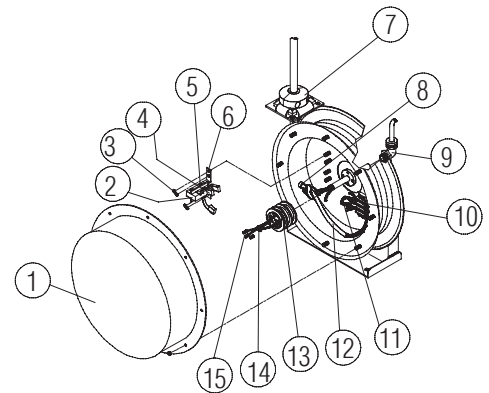
2. Remove power from reel.
3. Remove access cover (1).
4. Reapply power to reel.
5. Check for correct voltage (120 VAC) at terminal strip (2). If voltage reading is correct, replace output electrical cord/work device (refer to Service Instructions). If voltage reading is incorrect, proceed to step 6.
6. Remove power from reel.
7. Using ohmmeter, check continuity of input electrical cord. If cord checks good, proceed to step 8. If cord is faulty, replace it (refer to Service Instructions).
8. Remove brush holder/brushes from reel and inspect (refer to Service Instructions). Replace defective components then proceed to step 9.
9. Reapply power to reel.
10. Check for correct voltage (120 VAC) at terminal strip (2). If voltage reading is still incorrect, replace defective collector assembly (refer to Service Instructions).
11. Replace access cover (1).

Service Instructions

Maintain reel by following the service instructions given below. Refer all other repairs, other than those listed, only to an authorized service person or directly to Reelcraft. Failure to do so can result in personal injury and/or equipment damage and may void the warranty (refer to page 4 when referencing parts).

WARNING: Remove power from reel before performing any of the following procedures.

Replacing the Output Electrical Cord/Work Device



WARNING: Use extreme caution, reel under tension. Avoid releasing latch mechanism.

1. Pull output electrical cord from reel until fully extended, then latch.
2. Remove output electrical cord bumper (7).
3. Disconnect output electrical cord/work device (12) at terminal strip (10).

4. Remove strain relief (8). Remove output electrical cord/work device.
5. Install replacement electrical cord/work device by reversing steps 2 through 4.
6. Release latch and rewind electrical cord on reel.
7. Replace access cover (1).

Replacing the Input Electrical Cord

WARNING: Use of 2 or 3 prong plugs on cord reels equipped with GFCI receptacles may cause a potential malfunction of the GFCI receptacle.

1. Remove wire nuts (15) securing input electrical cord to collector assembly (13).
2. Remove 90 degree elbow (9).
3. Remove input electrical cord.
4. Remove 11" of outer jacket from replacement input electrical cord (input electrical cord wires must protrude a minimum of 6" from center of collector assembly).
5. Install replacement input electrical cord by reversing steps 1 through 3.
6. Replace access cover (1).

Replacing the Brush Holder/Brushes

1. At terminal strip (10), remove wires connecting brushes (11) to terminal strip.
2. Remove lock nuts (3) securing brush holder (6) to reel. Relocate cable clamp temporarily and remove brush holder.
3. Remove brushes (4) from brush holder (6).
4. Install replacement brush holder/brushes by reversing steps 1 through 3. Upon completion of installation, adjust brush-to-ring alignment by loosening nuts (5) and sliding finger assembly (2).

Replacing the Collector Assembly

1. Remove wire nuts (15) securing input electrical cord to collector assembly.
2. At terminal strip (10), disconnect wires (11) connecting brushes (4) to terminal strip.
3. Remove lock nuts (3) securing brush holder (6) to reel. Relocate cable clamp temporarily and remove brush holder.
4. Remove snap ring (14).
5. Remove collector assembly (13).
6. Install replacement collector assembly by reversing steps 1 through 5. Upon completion of installation, adjust brush-to-ring alignment by loosening nuts (5) and sliding finger assembly (2).
7. Replace access cover (1).

Autoswitch Operating Instructions

To operate Autoswitch reels, pull out and retract cable as shown in the above diagram. When cable is fully retracted, the reel is in the "Off" position.

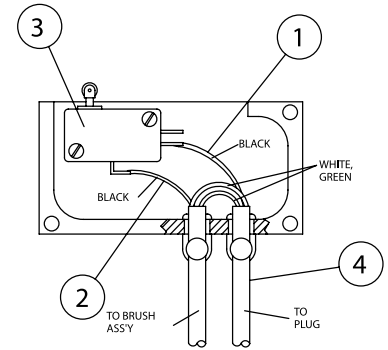
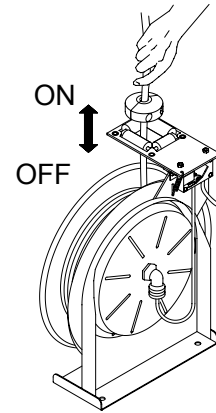
As the cable is pulled out, the guide arm pivots upward and the reel switches to the "On" position.

Autoswitch Troubleshooting

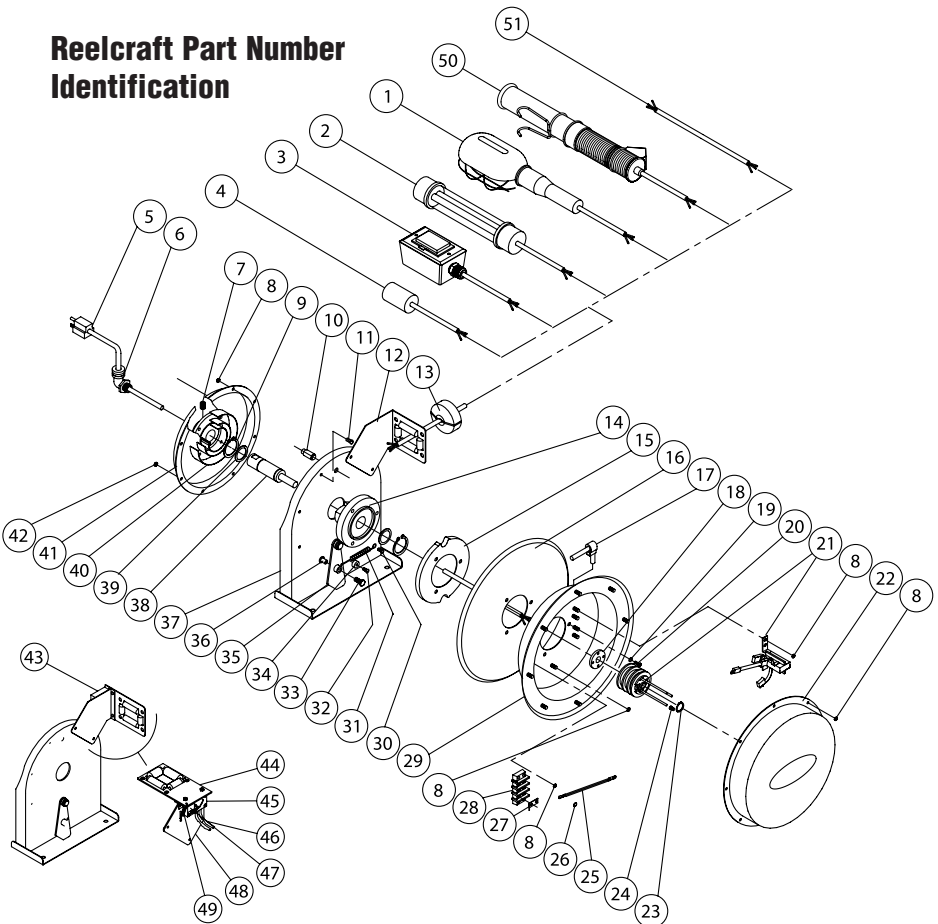
Service Instructions

Maintain reel by following the service instructions given below. Refer all other repairs, other than those listed, only to an authorized service person or directly to Reelcraft. Failure to do so can result in personal injury and/or equipment damage and may void the warranty. If reel fails to operate electrically, refer to troubleshooting instructions on page 2. If problem persists, check switch using the following steps.

1. Using an ohmmeter, check for continuity between lines (1) and (2), while switch is in the "On" or "Up" position.
2. If continuity test fails, replace switch (3).
3. If continuity test passes, check for inlet cord (4) damage.



Reelcraft Part Number Identification



Series L4000 Spring Driven Cord Reels

Parts common to all L4000 reels

Item #	Part #	# Req	Description	Item #	Part #	# Req	Description	Item #	Part #	# Req	Description
7	300006	1	Screw, Set 3/8-16 x 1/2" Pin	19	902016	3	Split Lock Washer	33	S32-136	1	Screw 10-32 x 1"
8	300011	22	Nut, Lock 10-32 Hex	20	S2-42	3	Screw, 1/4-20 x 5/8" Hex	34	S400021	1	Latch Bumper
9	300031	2	Snap Ring	22	261723	1	Cover	35	S600973	1	Latch Plate Ass'y Kit
10	S261360	1	Stud, Springcase	23	S140-13	1	Ring, Snap	36	400012	1	Latch Bushing
11	300002	2	Screw, 10-32 x 1/2"	26	S115-10	1	Lock washer	37	400101	1	Base Ass'y
14	S400017	1	Arbor, Spring	27	260609	1	Terminal, Connect	39	300034	2	Washer, Spacing
15	S400019	1	Cam, Latch	30	300001	5	Screw, 10-32 x 3/8"	40	S400030	1	Drive Spring Ass'y
16	400006	1	Disk, Sheave	31	400018	1	Latch Plate Spring	41	400103	1	Spring Case Ass'y
18	261577	1	Adapter, Plate	32	S32-136	1	Screw, 10-24 x 3/8"	42	S82-15	1	Nut, 10-32 x 3/8" Nyloc

Parts common to L4100 models

Item #	Part #	# Req	Description
6	S261140	1	Connector, 90° Cord
12	S400107	1	Guide Arm Ass'y
13	1-HR1004-A	1	Bumper Ass'y
17	260633	1	Strain Relief
21	S600279	1	Collector Ring Ass'y
24	260500	4	Wire Nut
25	600241	1	Grounding Cord Ass'y
28	600280	1	Terminal Block Ass'y
29	600278	1	Sheave Ass'y
38	S602349	1	Main Shaft Kit

Parts common to L4000 models

Item #	Part #	# Req	Description
6	S261140	1	Connector, 90° Cord
12	S400107	1	Guide Arm Ass'y
13	600193	1	Bumper Ass'y
17	260501	1	Strain Relief
21	S602296	1	Collector Ring Ass'y
24	260500	4	Wire Nut
25	600241	1	Grounding Cord Ass'y
28	600205	1	Terminal Block Ass'y
29	600194	1	Sheave Ass'y
38	S602348	1	Main Shaft Kit

Parts common to L4500 models

Item #	Part #	# Req	Description
6	S261140	1	Connector, 90° Cord
12	S400107	1	Guide Arm Ass'y
13	1-HR1004-A	1	Bumper Ass'y
17	260633	1	Strain Relief
21	S602296	1	Collector Ring Ass'y
24	260774	4	Wire Nut
25	600283	1	Grounding Cord Ass'y
28	600205	1	Terminal Block Ass'y
29	600254	1	Sheave Ass'y
38	S261589	1	Main Shaft Kit

Parts common to auto-switch models - L 4035 A 163 5 / L 4050 A 163 5

Item #	Part #	# Req	Description	Item #	Part #	# Req	Description
6	S261140	1	Connector, 90° Cord	38	S261589	1	Main Shaft Kit
13	600193	1	Bumper Ass'y	43	600341	1	Guide Arm Switch Ass'y
17	260501	1	Strain Relief	44	600342	1	Roller Plate Ass'y
21	S602296	1	Collector Ring Ass'y	45	260780	1	Switch Box
24	260500	3	Wire Nut	46	600472	1	Autoswitch Cord
25	600241	1	Grounding Cord Ass'y	47	260775	1	Switch
28	600205	1	Terminal Block Ass'y	48	260778	1	Guide Arm
29	600194	1	Sheave Ass'y	49	260779	1	Spring

Item #	Description	Model #	# Req	Part #
1	Incandescent Lamp/Cord Ass'y	L 4035 163 1	1	600223
1	Incandescent Lamp/Cord Ass'y	L 4050 163 1	1	600212
1	Incandescent Lamp/Cord Ass'y	L 4035 A 163 5	1	600458-35
1	Incandescent Lamp/Cord Ass'y	L 4050 A 163 5	1	600458-50
2	Fluorescent Lamp/Cord Ass'y	L 4035 162 2	1	600207
2	Fluorescent Lamp/Cord Ass'y	L 4050 162 2	1	600211
3	Duplex GFCI Box/Cord Ass'y	L 4545 123 7	1	602332-45
3	Duplex GFCI Box/Cord Ass'y	L 4545 123 7A		602333-45
3	Duplex Box/Cord Ass'y	L 4545 123 7B L 4545 123 7D	1	602255-45
4	Single Outlet	L 4035 163 3	1	600208
4	Single Outlet	L 4050 163 3	1	600209
4	Single Outlet	L 4545 123 3	1	600251
4	Single Outlet	L 4545 123 3A	1	602003
4	Single Outlet with twist-lock	L 4545 123 3B	1	602004
5	Inlet Cord Assembly	L 4545 123 3A L 4545 123 3B L 4545 123 7A L 4545 123 7B	1	602002

Item #	Description	Model #	# Req	Part #
5	Inlet Cord Assembly	L 4035 163 1, L 4050 163 1 L 4035 163 3, L 4050 163 3 L 4035 163 8, L 4050 163 8	1	260517
5	Inlet Cord Assembly	L 4035 A 163 5 L 4050 A 163 5	1	600472
5	Inlet Cord Assembly	L 4545 123 3	1	260630
5	Inlet Cord Assembly	L 4545 123 7	1	600564
5	Inlet Cord Assembly	L 4545 123 7D	1	261165
5	Inlet Cord Assembly	L 4545 123 X	1	262307
5	Inlet Cord Assembly	L 4050 163 X	1	262306
5	Inlet & Ballast Assembly	L 4035 162 2 L 4050 162 2	1	600213
50	Fluorescent Lamp & Single Outlet	L 4035 163 8	1	602015-35
50	Fluorescent Lamp & Single Outlet	L 4050 163 8	1	602015-50
51	Flying Leads	L 4050 163 X	1	260952-50
51	Flying Leads	L 4545 123 X	1	602353-45